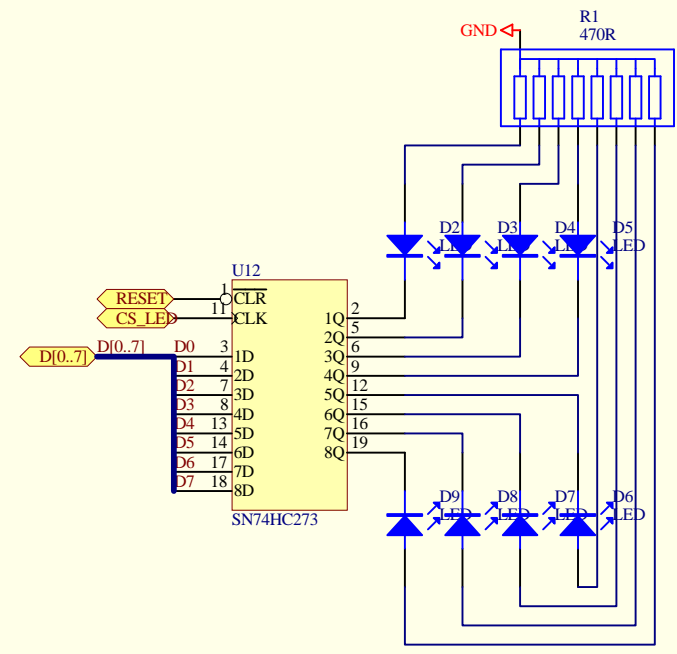
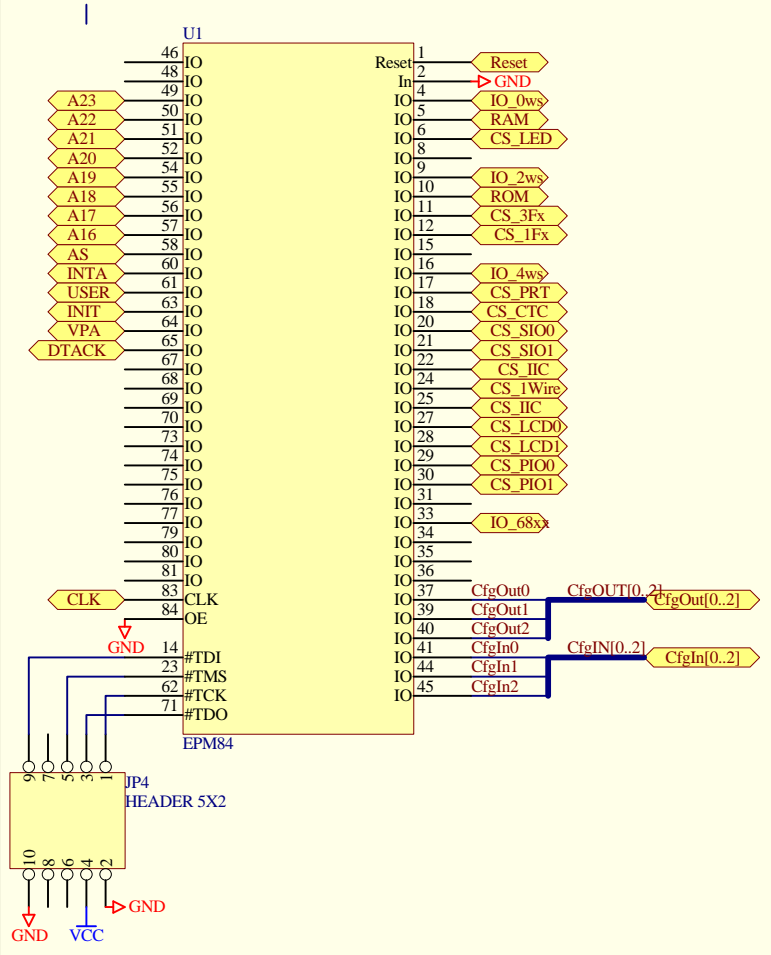


Dekodr Adresowy:

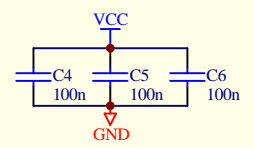
- 000000-0003FF - RAM (supervisor) (po resecie widzi ROM)
- 0003FF-0FFFFFF - RAM 1MB
- 010000-4FFFFFF - ROM 4MB
- F00000-FAFFFFFF - IO 0 Wait States
- F10000-FBFFFFFF - IO 2 Wait States
- F20000-FCFFFFFF - IO 4 Wait States
- F30000-FDFFFFFF - IO 68xx

Title		
Size	Number	Revision
A4		
Date:	20-Jul-2019	Sheet of
File:	d:_Free\Start68000_V2-1\Str68000.DDB	Drawn By:



Dekodr Adresowy:

- 000000-0003FF - RAM (supervisor) (po resetce widzi ROM)
- 0003FF-0FFFFFFF - RAM 1MB
- 010000-4FFFFFFF - ROM 4MB
- F00000-FAFFFFFF - IO 0 Wait States
- F10000-FBFFFFFF - IO 2 Wait States
- F20000-FCFFFFFF - IO 4 Wait States
- F30000-FDFFFFFF - IO 68xx



Title		
Size	Number	Revision
A4		
Date:	20-Jul-2019	Sheet of
File:	d:_Free\Start68000_V2-1\Str68000.DDB	Drawn By: